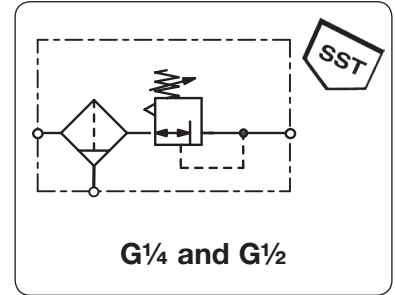


Description	Regulator of small, compact design, ideal for limited space conditions. Application examples are the chemistry, petroleum processing as well as food industry and medical technology.	
Media	compressed air, gases or liquids	
Supply pressure	max. 21 bar	
Adjustment	by plastic knob with snap-lock,	optionally by T-handle at B558
Relieving function	relieving, optionally non-relieving	
Gauge port	G $\frac{1}{4}$ on both sides of the body, screw plugs supplied	
Filter element	20 μ m at B548, 40 μ m at B11,	made of polypropylene
Bowl	stainless steel version without sight glass	
Drainage	manual drain as standard for max. 21 bar,	optionally automatic drain for max. 12 bar
Temperature range	0 °C to 80 °C / 32 °F to 176 °F,	max. 50 °C / 122 °F at automatic drain version
Material	Body: stainless steel 316, material no. 1.4401	
	Spring cage: glass fibre-reinforced plastic at B11 and B548,	stainless steel 316 / 1.4401 at B558
	Elastomer: FKM	
	Inner valve: stainless steel 316, material no. 1.4401	



Dimensions			Bowl capacity l	Flow rate		Supply max. bar	Connection thread G	Pressure range bar	Order number
A	B	C		m 3 /h*1	l/min*1				

Miniature filter pressure regulator						manual drain, relieving, w/o gauge, 20 μ m filter element	B548-S		
40	156	95	0.04	27	450	21	G $\frac{1}{4}$	0.2 ... 1.8	B548-02DHAS
								0.2 ... 4.0	B548-02DHBS
								0.3 ... 9.0	B548-02DHCS

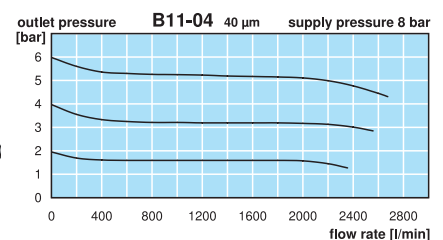
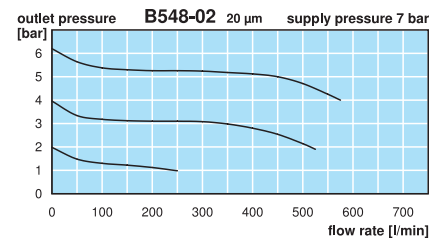
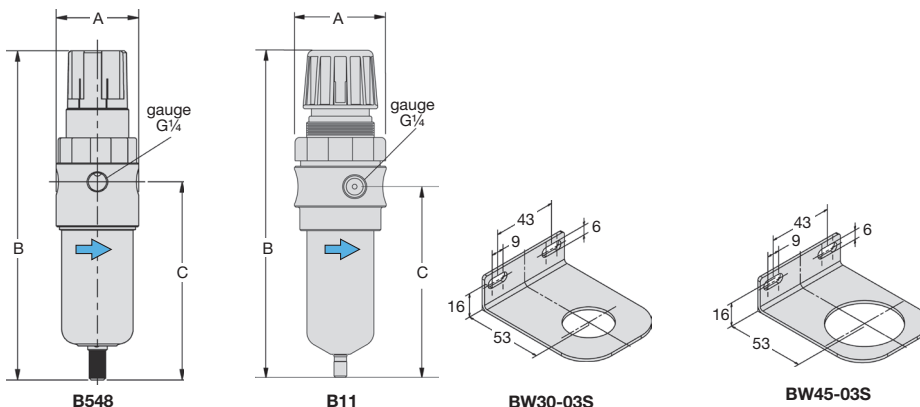
"Midi" filter pressure regulator						manual drain, relieving, w/o gauge, 40 μ m filter element	B11-S		
62	216	125	0.12	138	2300	21	G $\frac{1}{2}$	0.2 ... 1.8	B11 -04DJAS
								0.2 ... 4.0	B11 -04DJBS
								0.3 ... 9.0	B11 -04DJCS
								0.5 ... 17	B11 -04DJDS

Special options, add the appropriate letter

5 μm filter element		B...-0...G..
NPT	connection thread	B...-0...N
automatic drain	made of SST, SA10MDSS, max. 12 bar	for B11 B11 -04...R
non-relieving	without relieving function	B...-0...K
SST spring cage	made of stainless steel	for B548 B558-02D...

Accessories, enclosed

pressure gauge	\varnothing 40 mm, 0...*2 bar, G $\frac{1}{4}$	for B548	MS4002-...*2
	\varnothing 50 mm, 0...*2 bar, G $\frac{1}{4}$	for B11	MS5002-...*2
mounting bracket		for B548	BW30-03S
mounting nut		for B548	M30x1,5S
mounting bracket		for B11	BW45-03S
mounting nut		for B11	M45x1,5S



*1 at 7 bar supply pressure, 6 bar outlet pressure and 1 bar pressure drop *2 04 = 0...4 bar, 10 = 0...10 bar, 16 = 0...16 bar

Extensions: see chapter for FRL service units
Gauges: see chapter for measuring devices
Spare parts: see separate spare parts list

PDF CAD
www.aircom.net

Order example:
B548-02DHAS